



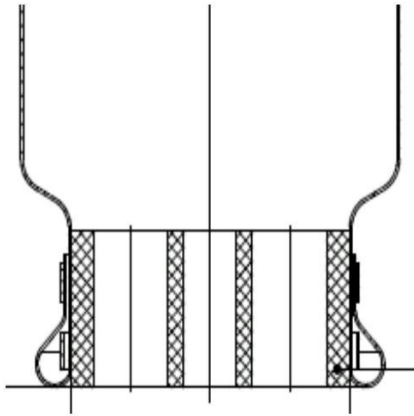
1. Put the fabric hose over the standing pipe.



2. Move the lower packer sealing element to the desired position.



3. Fix the fabric hose with the 1<sup>st</sup> pipe clamp.



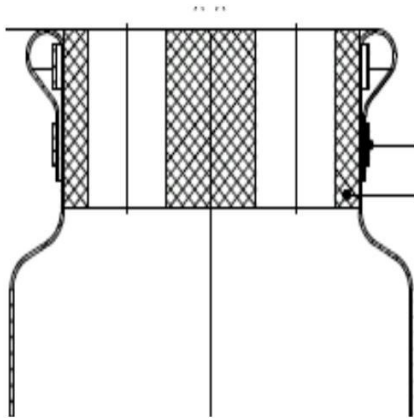
3.1. Attach the 2<sup>nd</sup> pipe clamp.



4. Move the upper packer sealing element to the desired position.



5. Fix the fabric hose with the 1<sup>st</sup> pipe clamp.



5.1. Attach the 2<sup>nd</sup> pipe clamp.



6. to sink



7. Fill the PACKER with the injection pipe with cement and keep it under pressure until the cement has set.